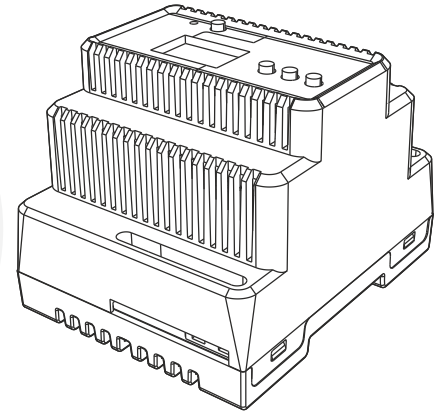


# KNX DALI GATEWAY

2X64 Channels

MODEL:  
LXA - 128 - 264

**i-luxus**  
Intelligent Luxury Building Solutions

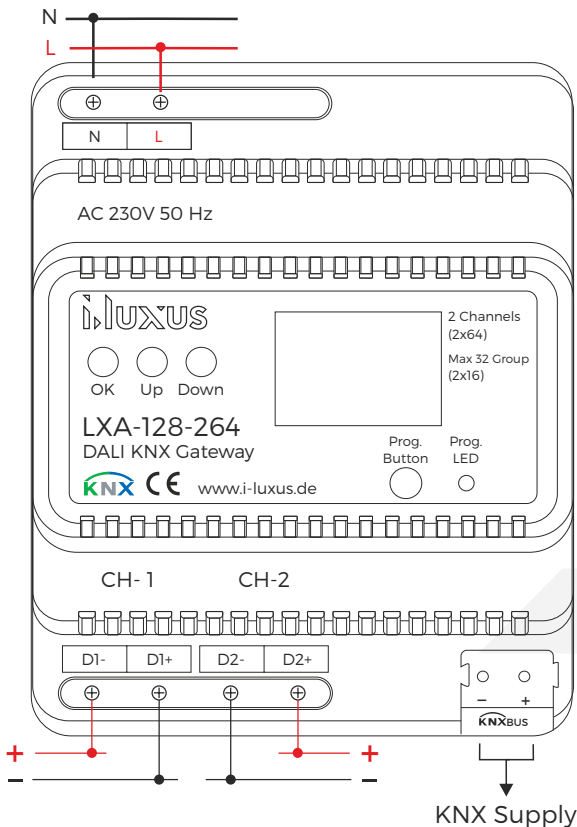


The I-luxus DALI KNX Gateway is a KNX modular installation device for installation in the distribution board on a 35mm mounting rail. It is a DALI Master controller supports 2-Channels (2x64 devices). 2x16 group operations are supported. The two channels are equivalent and each of them has the same technical properties and functions. In addition to the standard functions; switching, dimming and brightness value setting with the corresponding feedback, the DALI Gateway has the Staircase function, Scene, Slave, Forced operation and block functions. The manual operations are enabled with 3-buttons and LED Screen. The I-luxus DALI KNX Gateway is commissionable with DALI Configuration Tool. Also, all parameter can be configurable with ETS5.

## PRODUCT CHARACTERISTICS

- ▶ 2 independent DALI Channels
- ▶ 2x64 DALI device control
- ▶ 2x16 group control
- ▶ Individual control, group control or general control
- ▶ Reading of the status of DALI products via KNX, e.g. light intensity, light fitting fault etc.
- ▶ Displaying group status on the 2 digits LED Screen
- ▶ Possibility to manual control with 3 buttons
- ▶ No additional power supply
- ▶ Overload protection
- ▶ Easy configurable with I-Luxus DALI Configuration Tool
- ▶ Easy programmable with ETS5 via programming LED and button
- ▶ Production in Germany, certified according to ISO 9001 and KNX
- ▶ 2 years warranty

## CONNECTION DIAGRAM



## SAFETY INSTRUCTIONS

- ▶ Electrical equipment must be installed and suited only by qualified electricians.
- ▶ Observe the current accident prevention regulations.
- ▶ Failure to observe any of the installation instructions may cause damage to the device and result in fire and other hazards.
- ▶ Before working on the device or before replacing any connected loads, disconnect the supply voltage (by cutting out the circuit breaker) to avoid the risk of an electric shock.
- ▶ Make sure during the installation that there is always sufficient insulation between the mains voltage and the bus.
- ▶ Do not open the device and do not use it outside the scope of the technical specifications.